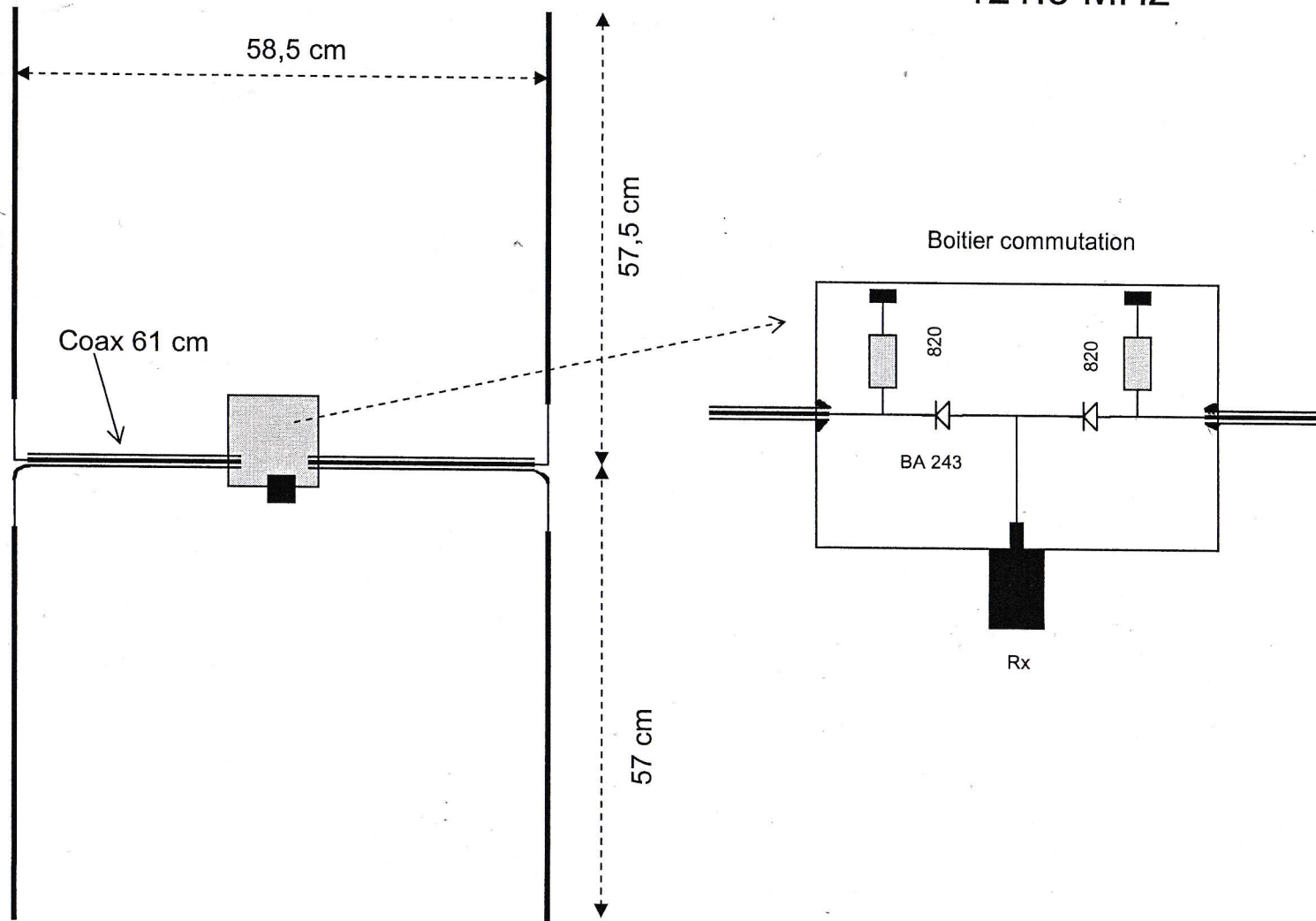
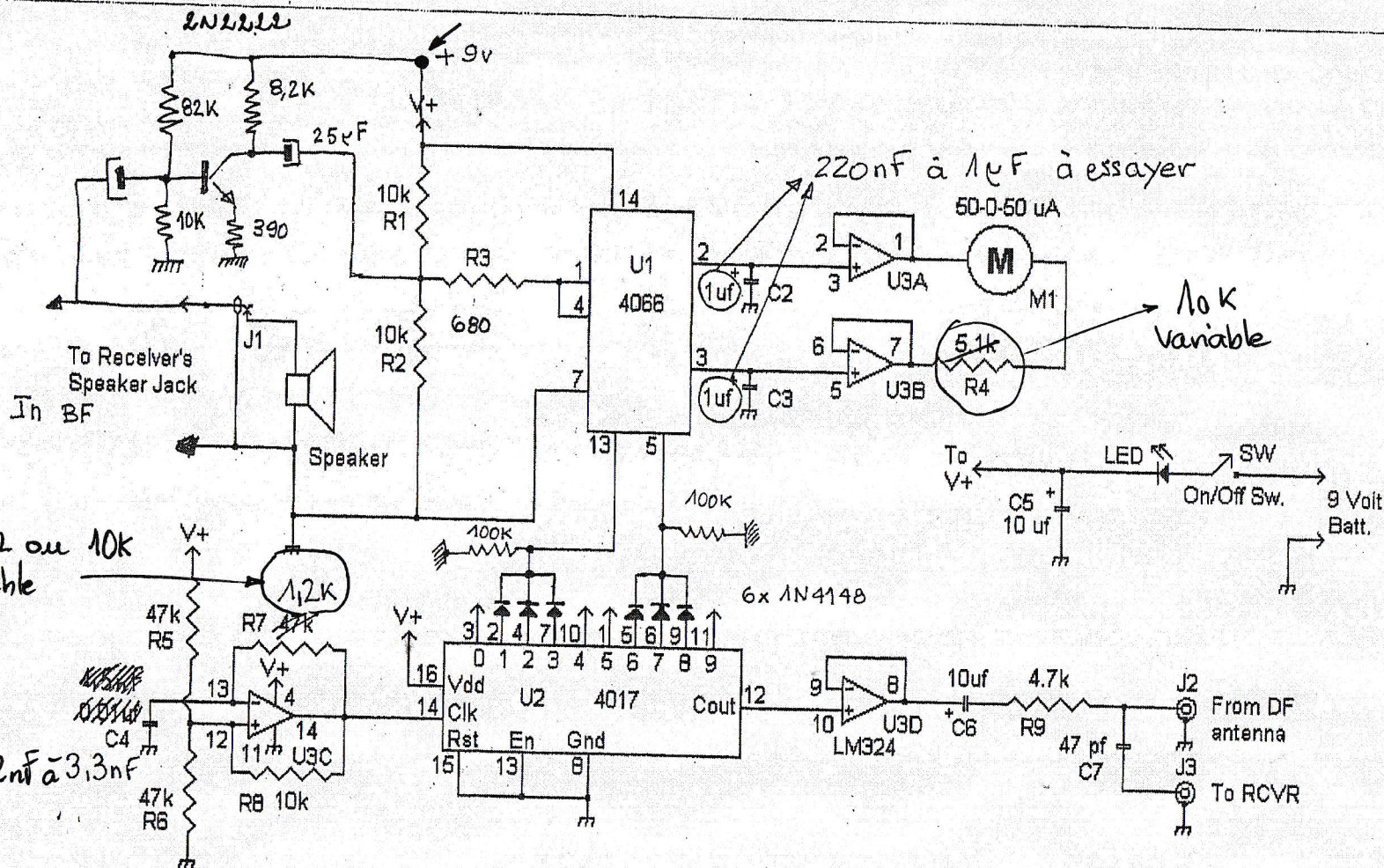


ANTENNE HOMING 121.5 MHz





- Speaker - Any suitable speaker
- J1 - Jack for earphone connection (optional)
- J2, J3 - BNC connectors (or RF connectors of your choice)
- LED - Light Emitting Diode (any color)
- SW - SPST Switch
- U1 - 4066 Quad analog switch (NTE-4066B)
- U2 - 4017 Decade Counter (NTE-4017B)
- U3 - LM324 Quad Op Amp (NTE-987)
- M1 - 50-0-50 microamp zero-centering meter

Switched Capacitor Matched Filter FM DF Circuit by Mike Mladejovsky, WA7ARK 4/4/1991

Note:
 - Adjust C4 and/or R7 for oscillator frequency of approx. 10 KHz
 - Adjust R4 to match the meter's sensitivity

